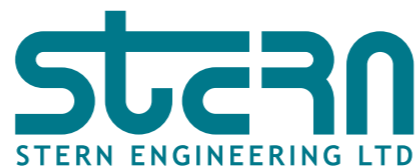


QUADRAT B / E

Touch free electronic faucet for wall mounted installations. Duct concealed. Self adjusting infrared sensor. Powered by external IP67 battery box with 6x1.5 V AA Alkaline batteries or by 9 V transformer. Filters included. Sensor range is adjustable by remote control. Other sensor settings (Delay In, Delay Out and Security Time) can also be adjusted by remote control. Faucet will automatically shut off after being used for more than 90 seconds. Sensor features a low battery level indicator.

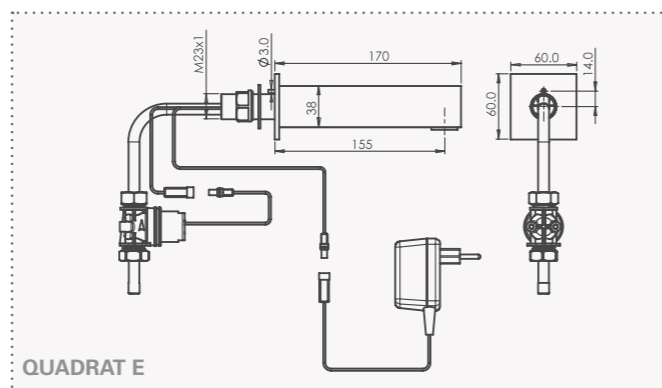
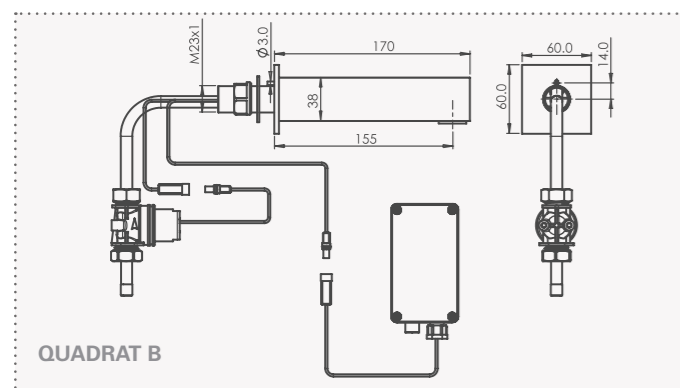


OPERATION

Touch free electronic faucet. The faucet is activated automatically when the users bring their hands within the sensor range and stops when the users remove their hands.

APPLICATION

Combines minimalistic design with high quality into a vandal resistant product. Helps washrooms to stay hygienic, safe and water saving. Suitable for child care and health care. Ideal for hospitals, laboratories, dentist clinics. Makes a perfect combination with Stern's Quadrat Soap Dispenser.



ORDERING INFORMATION

PRODUCT NAME	PART NUMBER
Quadrat B	351100
Quadrat E	351200

PRODUCT AT A GLANCE

Installation	Duct concealed wall mounted installation
Power source:	IP 67 battery box with 6 x 1.5 V AA Alkaline batteries 9 V transformer.
Water flow	6 LPM / 1.58 GPM Optional upon special request 4 LPM / 1 GMP
Water Supply	Cold or premixed water
Water temperature:	Max 70°.
Operating pressure:	0.5-8.0 bar (7 - 116 PSI).

OPTIONS

OPTIONS	PART NUMBER
Remote control for adjusting settings	07100005
Matching soap dispenser battery operated	351910
Matching soap dispenser transformer operated	351900

