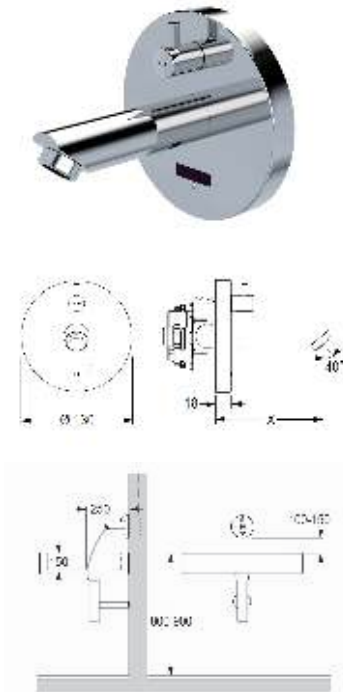


lino concealed wall-mounted lavatory faucet WV10, chrome, IR-sensor, Click, battery, temp. mixing



lino concealed wall-mounted faucet WV10, with IR sensor, with temperature-mixing, chromed - final installation set

Touchless, electronically controlled lavatory faucet for flush mounting:

- Sturdy version, front plate and spout made of metal, chromed
- Reliable solenoid valve ROBUST (minimal level of water pressure surge)
- Dual infrared sensors (with automatic setting feature), microprocessor
- Follow-up time and sensor sensitivity adjustable with function key
- Check valves and built-in filters
- Continuous water flow time and hygienic flush time adjustable with function key
- Temperature adjustable
- Adjustable hot water limitation (mechanically)
- 12, 24 or 48-hour hygienic flush activatable with function key
- Compatible with CNX water management system possible
- Compatible with Service APP: Control of stored operational data, settings and control functions

Notice:

When integrated into the CNX Water Management System, the CNX Converter 6 V must be ordered separately.

Service APP only available in conjunction with BLE Converter - no permanent evaluation option.

When using the Service APP, the BLE Converter must be ordered separately.

Colour: Chrome,

Power supply: Battery,

Function key: Click, counter-sunk Click - without optional features

Use: IR-sensor, contact-free activation

Mixture: Temp. mixing, with mixing lever for temperature regulation

Battery: 6 V Lithium CRP2 - commercial; life time up to 4 years

Operating pressure: 0,3 –10 bar

Water temperature (max.): 80 °C

Flow rate (approx.): 6 l/min / 1,6 gpm (3 bar)

Follow-up time: 1 s pre-set (adjustable with function key 0-10 s)

Continuous water flow and hygienic flush time: 2 min pre-set (adjustable with function key 0,5-20 min)

Sensor sensitivity: Automatic self-adapting sensor technology

Built-in filters: 0,3 mm mesh size

Aerator: Economic aerator, CASCADE (self-cleaning)

Spout (x): 120 mm

Click: Recessed function key - without additional functions

Engineering standards: DIN EN 200; Noise category I; CE