

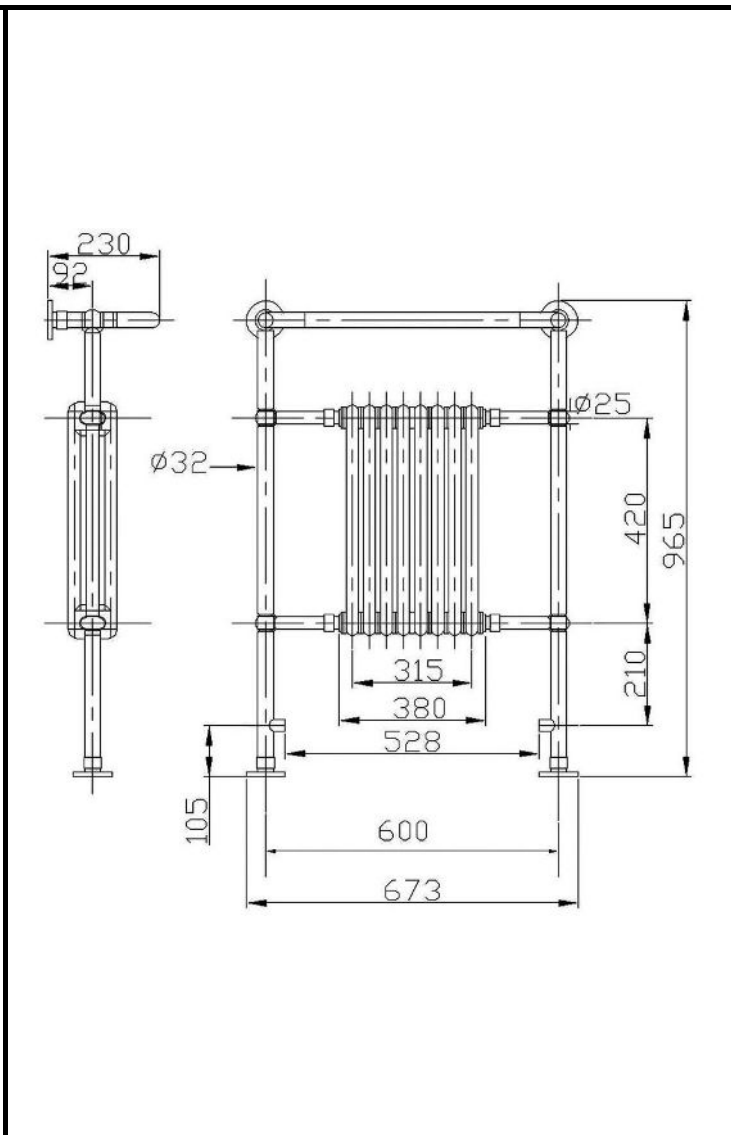
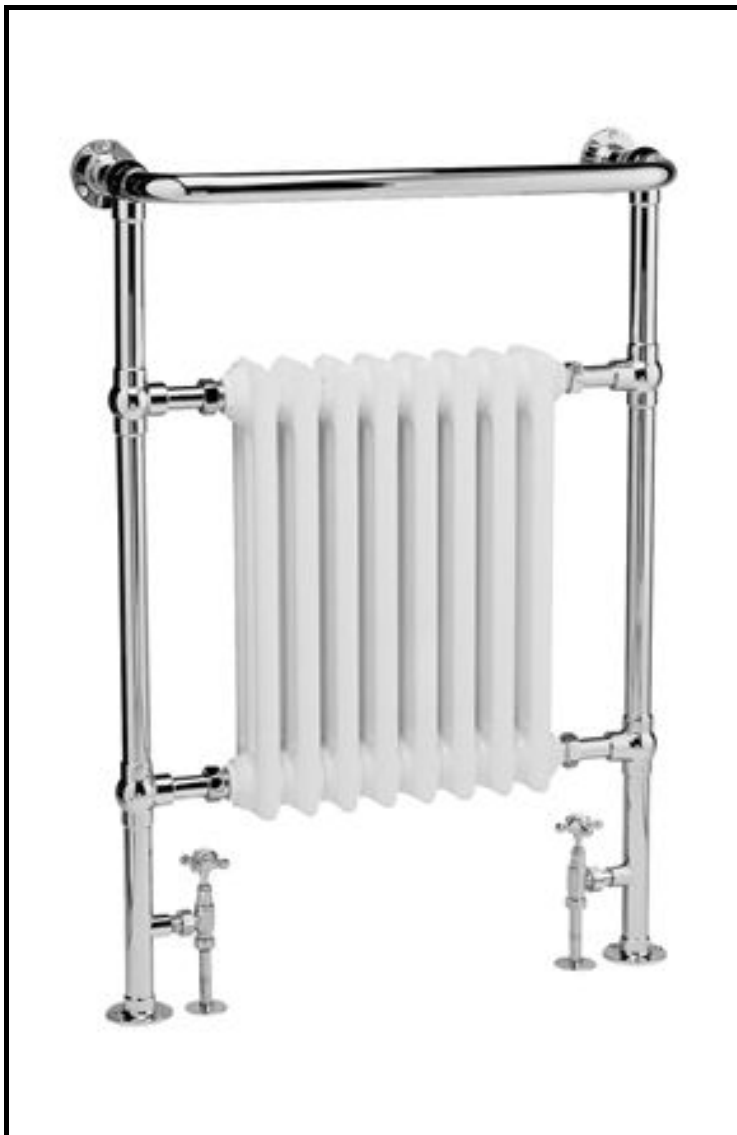
B A Y S W A T E R

London W.2

CODE: BAYR001

DESCRIPTION: Clifford Towel Rail/Radiator 965X673x230

CATEGORY: Heating



PRODUCT DIMENSIONS				
Height (mm)	Width (mm)	Depth (mm)	Length (mm)	Nett Wgt Kg
965	673	230		19.26

PACKAGING DIMENSIONS			
Height (mm)	Width (mm)	Length (mm)	Gross Wgt Kg
1040	740	300	19.26

PACKAGING DATA			
Box Colour	White Cardboard Shrinkwrapped		
Box Qty	1	Label Colour	White Label
Label Size	100 x 50	Label Qty	2

OUTER BOX DIMENSIONS (If Applicable)			
Height (mm)	Width (mm)	Length (mm)	Gross Wgt Kg
Barcode	5055275889909		

PRODUCT DETAILS						
Contry of Origin	United Kingdom					
Fitting Instruction	Yes					
RAL No	9016					
Heat Element Wattage	Not Applicable					
BTU Outputs	30°C	925	50°C	1778	60°C	2242
Pipe Centres	438mm					
Packaging Volume (L)	217					
Wall to Ctr of Tappings	100					
Dual Fuel	N/A					

Certification	CE	No	RoHS	N/A	WEEE	N/A
Colour/Finish	Chrome/White					
Product Material	Steel					
Heat Element Wattage Compatible	N/A					
Thermal Outputs (Watts)	30°C	271	50°C	521	60°C	657
Max Projection	230mm					
Tube Diameter	32mm					
Floor to Ctr of Tappings	105					