

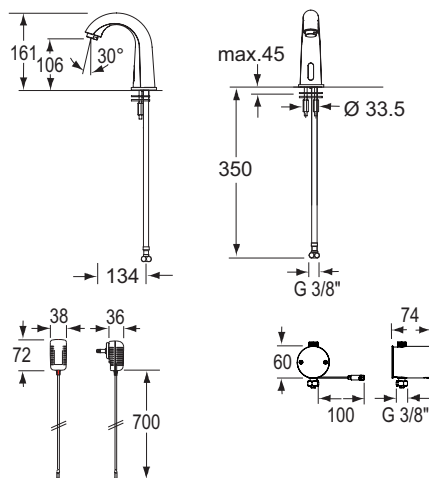
# Flamingo lavatory faucet F20



**Flamingo lavatory faucet S20, with IR-Sensor, without temperature mixing (for cold or pre-mixed water), chrome**



Touch-free, electronically controlled lavatory faucet:

- modular single-piece construction
- sturdy brass housing (polished)
- dual infrared sensors w. automatic setting feature, microprocessor-electronic
- hydraulic unit with reliable magnetic valve, integrated battery unit or power connections
- direct assembly of device-box onto the anglevalve (filter included)
- economy aerator
- temporary-off for e.g. cleaning, can be activated through "Touch"
- continuous water flow time (filling of basin) can be activated / adjusted through "Touch"
- water follow-up time and sensor sensitivity adjustable can be activated through "Touch"
- 24-hour hygienic rinse adjustable can be activated through "Touch"
- installation like conventional single-lever faucet



Touch:  
 Battery:  
 Mains operation:  
 VARIOconnect:

setting the sensor or features, by touching the sensor  
 6V Lithium 2 CR 5 - life time up to 4 years  
 plug-in transformer 100-250VAC / 6VDC  
 single / multiple power supply, see accessories

Description	power supply	Code
<b>Flamingo lavatory faucet S20</b> with IR-Sensor, without temperature mixing (for cold or pre-mixed water), chrome		<b>100.902.11</b>
		<b>100.903.11</b>

**Technical data:**

Operating pressure: 0,3 - 10 bar  
 Flow rate: approx. 6,5 l/min. (3 bar)  
 Max. water temperature: 80° C  
 Aerator: economy aerator, cascade (self-cleaning)  
 Flexible hose: 35 cm  
 Angle valve connection: G 3/8"  
 Filter: 0,4 mm mesh size  
 Sensor-sensitivity: automatic self-adapting sensor technology  
 Follow-up time: 1 sec. pre-set (adjustable with Touch 0-5 sec.)  
 Continuous water flow and hygienic rinse time: 2 min. pre-set (adjustable with Touch 1 - 20 min.)  
 Temporary-off: 2 min. (fixed)  
 Engineering standards: DIN EN 200; 