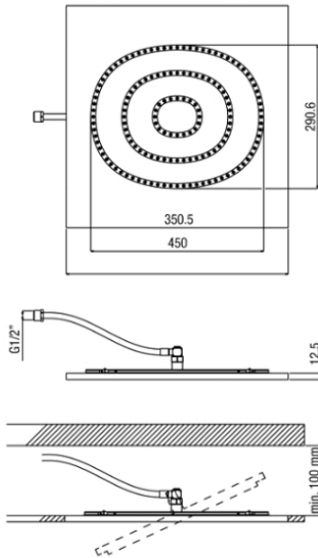
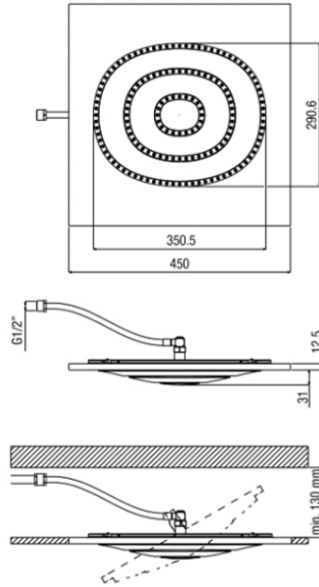


# GROOVE VERSIONS TECHNICAL DRAWINGS

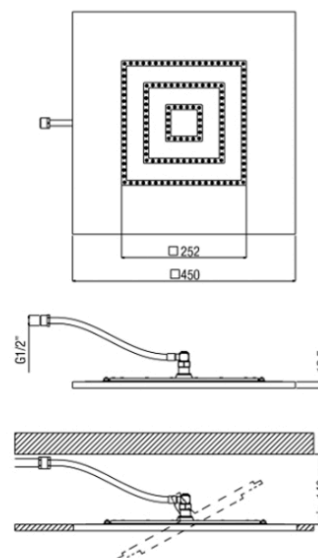
## OVAL 2D



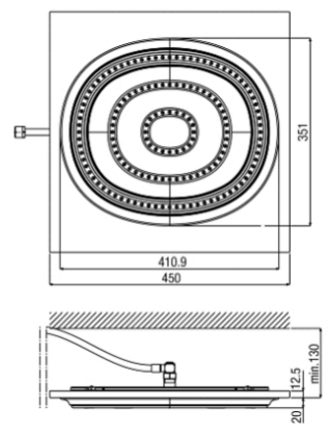
## OVAL 3D



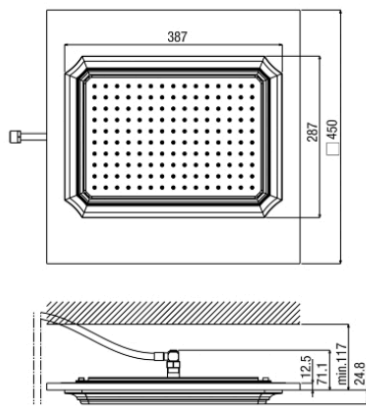
## SQUARE 2D



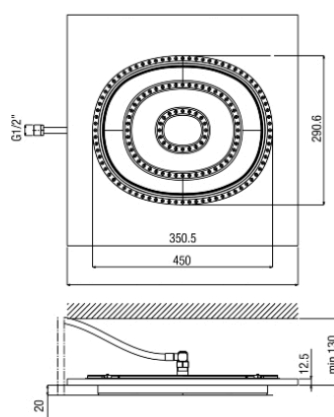
## FRAME OVAL



## FRAME RECTANGULAR



## COMBO



## GRID

