

2021

## FU70L Fluo 70

Countertop - wall hung basin 70 cm with tap ledge

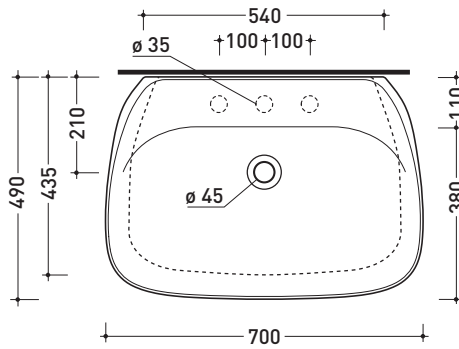
•WITH OVERFLOW •ARRANGED FOR THREE HOLES TAP

Complements: **Forty6 shelf (F65058)**  
**Furniture BOX - depth. 50**  
**Line taps basin: ONE - NOKÈ - SI - FOLD - X1**  
**Line accessories: TWO - HOOP - NOKÈ - FOLD**

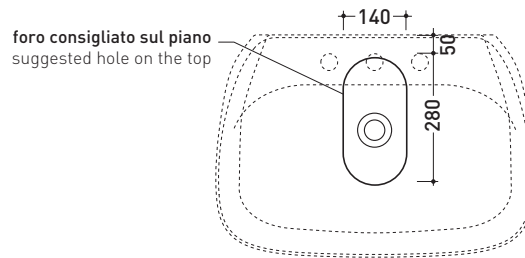
Technical accessories: **Chrome siphon (SIFL/CR) - Telescopic chrome siphon (SIFL066)**  
**Stop & Go drain (PLSG)**  
**CERAMIC Stop & Go drain (PLCE)**  
**Two piece set chrome tap filters (RF026)**  
**Fixing kit for wall (9002)**

Package dim. cm | Weight **16 kg** | Pz. Pallet n° -

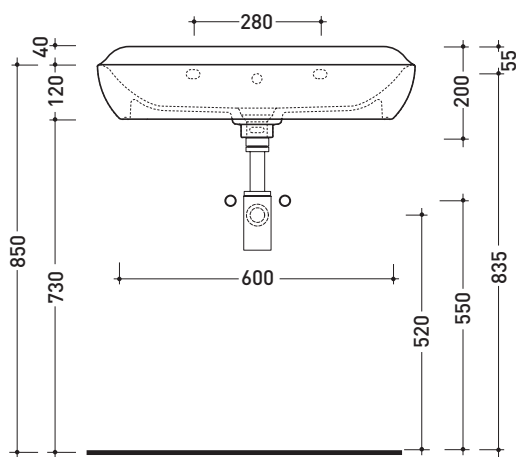
CE UNI EN 14688 - CL20 Dop-No14688



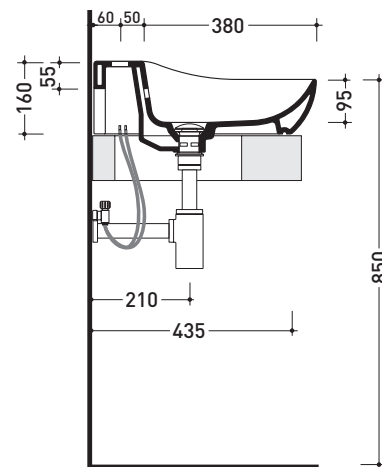
vista zenitale / zenital view



vista zenitale / zenital view



vista frontale / frontal view



sezione longitudinale / section

sizes in mm

Please consider a 2% tolerance on indicated measurements

CERAMIC: glossy finish



matt finish



<https://www.ceramicaflaminia.it/en/products/348-fluo>

©ceramicaflaminiaspa - All rights reserved. Unauthorized copying, publication, reproduction as well as partial reproduction are prohibited

march 2021

