

PARMA | shower system for concealed installation

Finish: chrome (CR)

The OMNIRES PARMA collection stands out with its minimalist, elegant design. A well-balanced form with rounded edges proves light and subtle. Well thought-out solutions give the collection a timeless character.

Chrome is a versatile finishing in a silvery colour, with the perfectly even and lustrous surface.

Design: Janusz Langner, OMNIRES Studio

Certificates: Polish Declaration of Performance (B marking)



Technologies



The mixer is equipped with the highest quality ceramic cartridge which ensures smooth and precise water flow control whilst guaranteeing long term product performance.



Thanks to the AIR WATER technology, the water is soft and pleasant to the touch, enhancing the overall showering experience.



The EASY CLEAN nozzles allow the user to easily remove any limescale from the shower head and the hand shower by simply wiping their silicone surface.



The mixer's body is made of high quality A-grade brass.



Developed to minimise environmental footprint, the ECO WATER technology reduces water consumption by approx. 30% without compromising on the overall product experience.



The shower head is made using the ANTI-SCALE technology. It incorporates a silicone insert that prevents internal water stagnation. Occasional tilting of the shower head, so that any stagnant water could flow out through the nozzles, guarantees long term product performance.



The product is coated using the advanced electroplating technology which guarantees durability, offers good resistance to mechanical damage and facilitates cleaning.



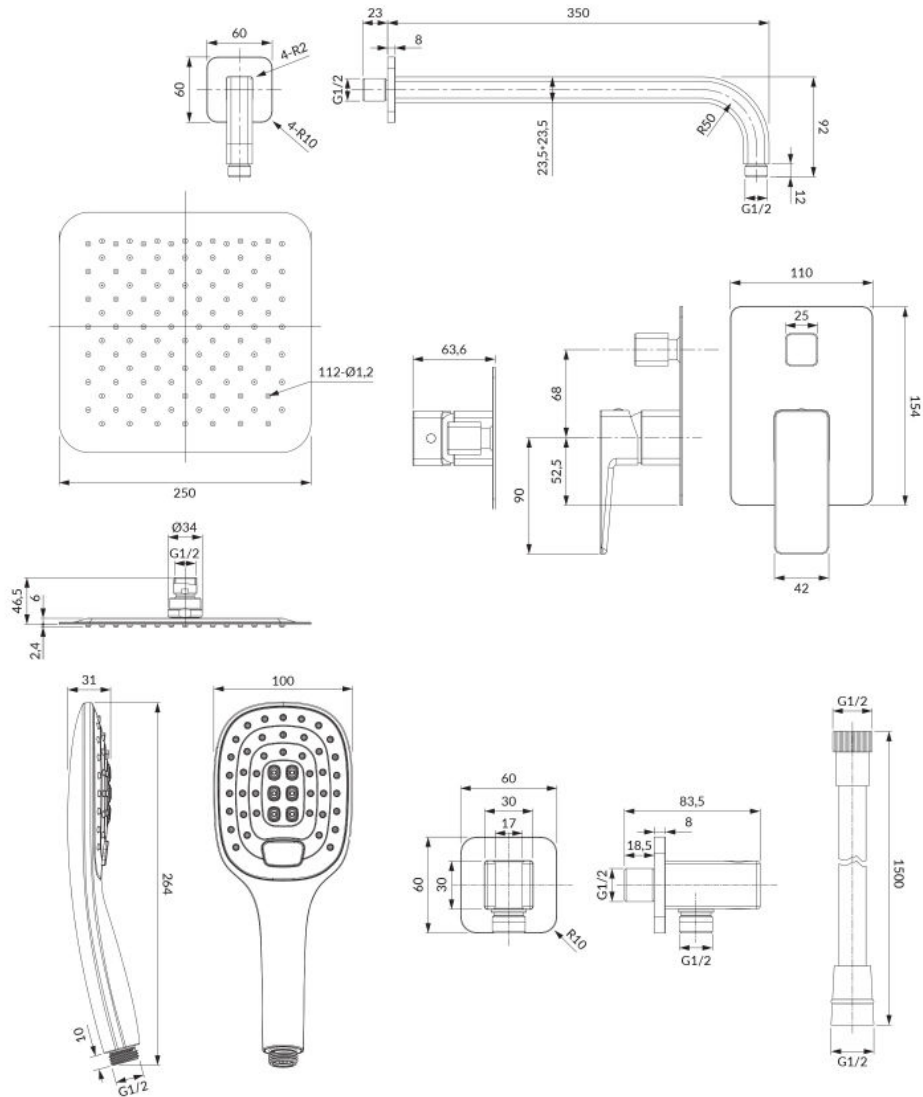
The showerhead is made of high quality stainless steel which offers exceptional resistance to damage and guarantees long term product performance.

Flow characteristics

- water flow at 3 bar: 14 l/min
- hot water supply: max. 90 °C
- working pressure 1-6 bar

Specification

- shower/bath mixer for concealed installation (PM7435CR)
- stainless steel shower head (WGU225CR), dimensions: 25 x 25 cm
- brass shower arm (RA15CR)
- hand shower (DAVIS-RCRB), 3-function, streams: rain, massage, mixed
- stainless steel flexible shower hose (O23-XCR), length: 150 cm
- brass shower elbow with a hand shower bracket (8815CR)



PARMA | shower system for concealed installation

Finish: matt black (BLM)

The OMNIRES PARMA collection stands out with its minimalist, elegant design. A well-balanced form with rounded edges proves light and subtle. Well thought-out solutions give the collection a timeless character.

Matt black is an expressive finishing with a velvety to the touch surface.

Design: Janusz Langner, OMNIRES Studio

Certificates: Polish Declaration of Performance (B marking)



Technologies



The mixer is equipped with the highest quality ceramic cartridge which ensures smooth and precise water flow control whilst guaranteeing long term product performance.



Thanks to the AIR WATER technology, the water is soft and pleasant to the touch, enhancing the overall showering experience.



The shower head is made using the ANTI-SCALE technology. It incorporates a silicone insert that prevents internal water stagnation. Occasional tilting of the shower head, so that any stagnant water could flow out through the nozzles, guarantees long term product performance.



The EASY CLEAN nozzles allow the user to easily remove any limescale from the shower head by simply wiping their silicone surface.



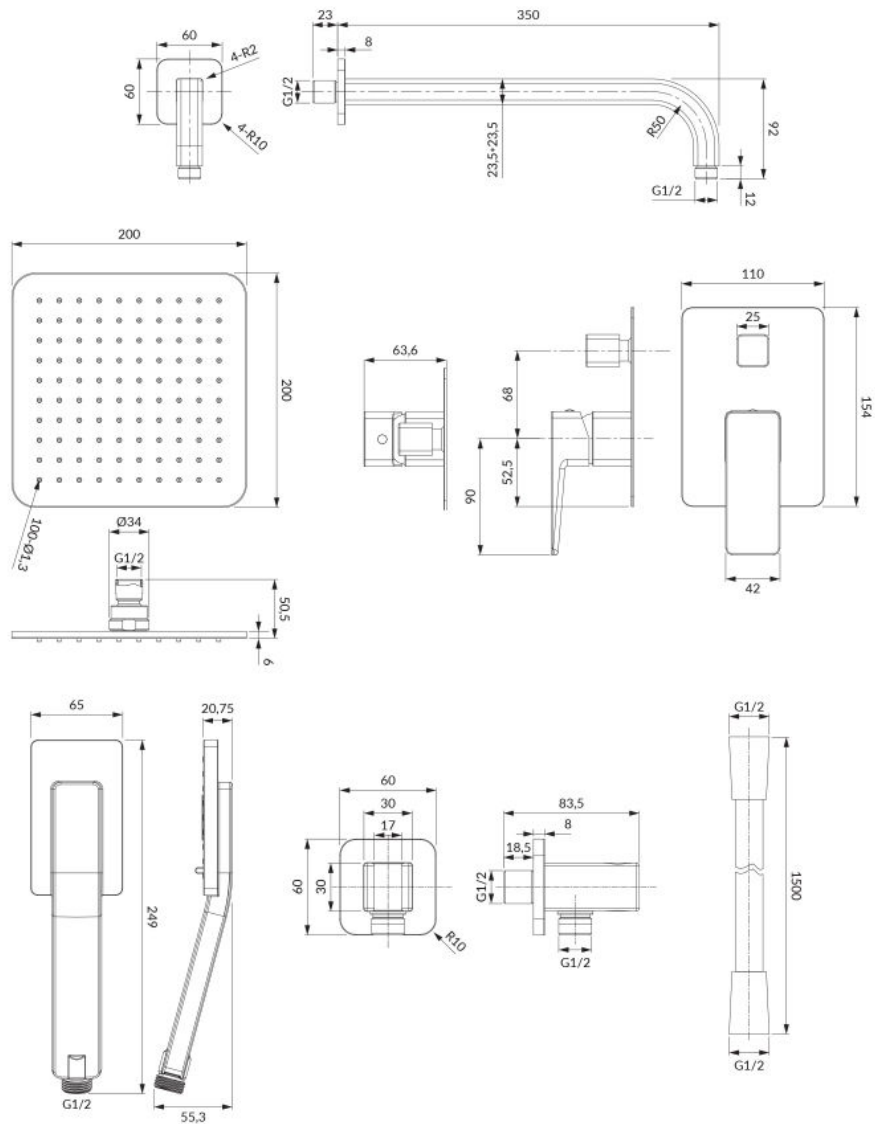
The mixer and the shower head are made of high quality A-grade brass.

Flow characteristics

- water flow at 3 bar: 16 l/min
- hot water supply: max. 90 °C
- working pressure 1-6 bar

Specification

- shower/bath mixer for concealed installation (PM7435BL)
- brass shower head (WG220/OBL), dimensions: 20 x 20 cm
- brass shower arm (RA15BL)
- hand shower (JIMJIM-RBL), 3-function, streams: rain, whip, mixed
- PVC-coated flexible shower hose (O28BL), length: 150 cm
- brass shower elbow with a hand shower bracket (8815BL)



PARMA | shower system for concealed installation

Finish: graphite (GR)

The OMNIRES PARMA collection stands out with its minimalist, elegant design. A well-balanced form with rounded edges proves light and subtle. Well thought-out solutions give the collection a timeless character.

Graphite is an intriguing finishing in the shade of metallic grey, with a satin, brushed surface.

Design: Janusz Langner, OMNIRES Studio



Technologies



The mixer is equipped with the highest quality ceramic cartridge which ensures smooth and precise water flow control whilst guaranteeing long term product performance.



Thanks to the AIR WATER technology, the water is soft and pleasant to the touch, enhancing the overall showering experience.



The shower head is made using the ANTI-SCALE technology. It incorporates a silicone insert that prevents internal water stagnation. Occasional tilting of the shower head, so that any stagnant water could flow out through the nozzles, guarantees long term product performance.



The EASY CLEAN nozzles allow the user to easily remove any limescale from the shower head by simply wiping their silicone surface.



The mixer's body is made of high quality A-grade brass.

Flow characteristics

- hot water supply: max. 90 °C
- working pressure 1-6 bar

Specification

- shower/bath mixer for concealed installation (PM7435GR)
- brass shower head (WG220/OGR), AIR WATER techn., dimensions: 20 x 20 cm
- brass shower arm (RA15GR)
- hand shower (JIMJIM-RGR), 3-function, streams: rain, whip, mixed
- stainless steel flexible shower hose (O23-XGR), length: 150 cm
- brass shower elbow with a hand shower bracket (8815GR)

