

HARVIA VEGA

HCB450400S

The stainless steel outer shell of Vega is durable and creates a modern look for your sauna. The operating switches are placed ergonomically in the upper part, and thanks to the symmetric shape of the heater, the switches can be placed on either side.



Features

Main material : Steel

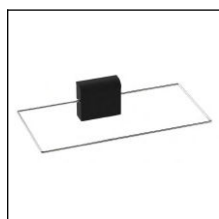
H x W x D : 540.0 x 480.0 x 310.0 mm

Net weight (kg) : 11.0

Installation location : Wall

ID	GTIN	Output (kW)	Sauna room size min - max m ³
HCB450400S	6410082608041	4.5 kW	3.0-6.0

Related products



SFE-220400

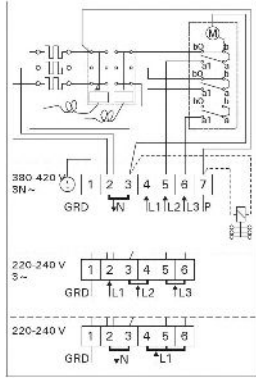
Spare parts

Product	ID	Pcs
Variant 1505*1505 sauna cabin	S1515	
Variant 1505*1505 right sauna cabin	S1515R	
Variant 1505*1505 left sauna cabin	S1515L	
Variant 1505*1505 sauna cabin	S1515	
Variant 1505*1505 right sauna cabin	S1515R	
Variant 1505*1505 left sauna cabin	S1515L	

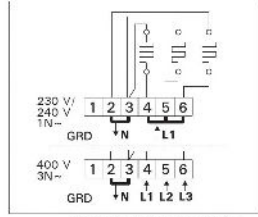
Technical details

Technical data	Type / attribute	HC B450400S
	Color	Stainless Steel
	Power output	4.5 kW
	Stone sizes	Ø5–10 cm
	Stone amount (kg)	20
Dimensions	Product width	480
	Product height	540
	Product depth (mm)	310
	Net weight (kg)	11
	Gross weight	12.4
	Package width	315
	Package height	475
	Package depth	500
Safety and installation dimensions	Safety distance front (combustible materials)	20
	Safety distance right side (combustible materials)	20
	Safety distance left side (combustible materials)	20
	safety distance to the side wall (combustible materials)	50
	Safety distance (Ceiling)	1100
	Room min. height(depends on connections and therefore from output, star/delta)	1900
	Installation opening height	1900
	Installation opening width	550
	Installation opening depth	340

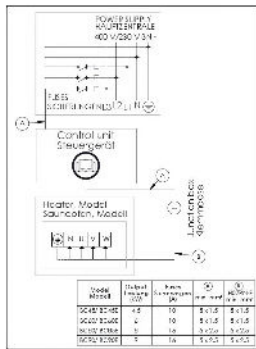
Technical images



Electrical connections of BC heater
Elektronanschlüsse des Saunaofens BC

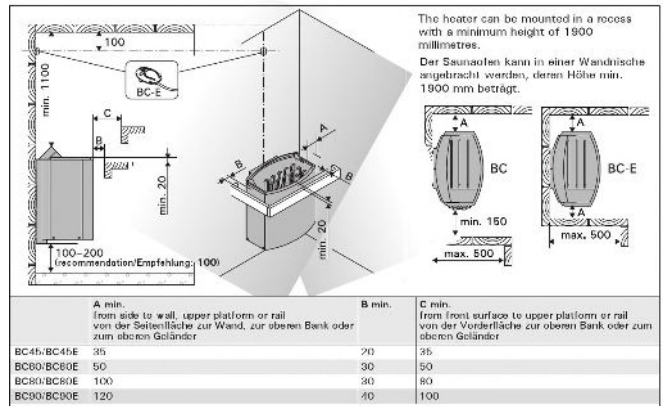


Electrical connections of BC-E heater
Elektronanschlüsse des Saunaofens BC-E



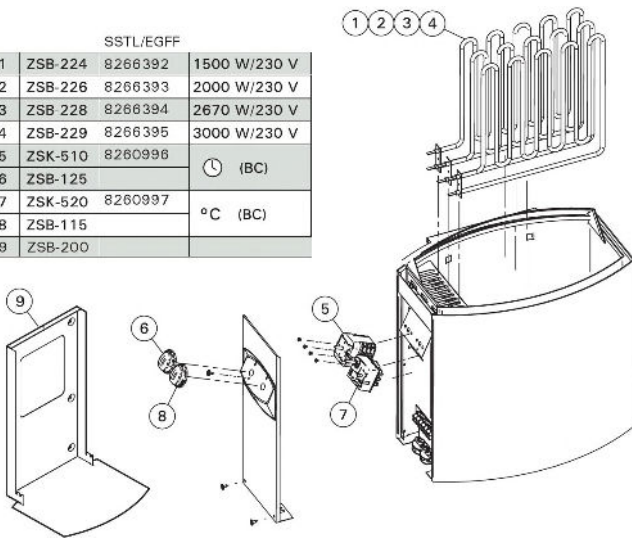
3-phase electrical connections of control unit C150 and BC-E heater
3-phasiger Elektronanschlüsse des Steuergerät C150 und des Saunaofens BC-E

Modell	Heizleistung [kW]	Stromaufnahme [A]	U ₁ [V]	U ₂ [V]
BC40/BC40E	4,0	10	0,115	0,115
BC60/BC60E	6,0	10	0,115	0,115
BC80/BC80E	8,0	10	0,115	0,115
BC100/BC100E	10,0	16	0,115	0,115



	A min.	B min.	C min.
BC40/BC40E	35	20	35
BC60/BC60E	50	30	50
BC80/BC80E	100	30	80
BC100/BC100E	120	40	100

SSTL/EGFF		
1	ZSB-224	8266392 1500 W/230 V
2	ZSB-226	8266393 2000 W/230 V
3	ZSB-228	8266394 2670 W/230 V
4	ZSB-229	8266395 3000 W/230 V
5	ZSK-510	8260996
6	ZSB-125	°C (BC)
7	ZSK-520	8260997
8	ZSB-115	°C (BC)
9	ZSB-200	



We recommend to use only the manufacturer's spare parts.
Es dürfen ausschließlich die Ersatzteile des Herstellers verwendet werden.

HARVIA VEGA

HCB600400S

The stainless steel outer shell of Vega is durable and creates a modern look for your sauna. The operating switches are placed ergonomically in the upper part, and thanks to the symmetric shape of the heater, the switches can be placed on either side.



Features

Main material : Steel

H x W x D : 540.0 x 480.0 x 310.0 mm

Net weight (kg) : 11.2

Installation location : Wall

ID	GTIN	Output (kW)	Sauna room size min - max m ³
HCB600400S	6410082608065	6 kW	5.0-8.0

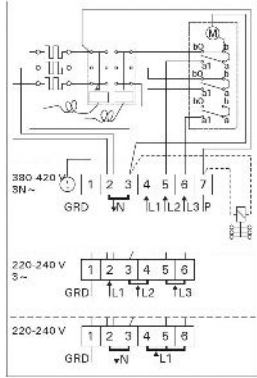
Spare parts

Product	ID	Pcs
Heating element 2000W/230V	ZSB-226	3
Thermostat knob Vega 2009	ZSB-115	1
Timer knob Vega 2009	ZSB-125	1
Wall mounting plate Vega	ZSB-200	1
Timer 4h+8h	ZSK-510	1
Thermostat/overheating limiter switch	ZSK-520	1
Heating element 2000W 230V, Vega	SPZSB-226	3
Knob thermostat Vega, black	SPZSB-115	1
Knob timer 4+8h Vega, black	SPZSB-125	1
Timer 4+8h	SPZSK-510	1
Thermostat overheating limiter switch	SPZSK-520	1
Variant 1945*1505 sauna cabin	S2015	
Variant 1945*1505 right sauna cabin	S2015R	
Variant 1945*1505 left sauna cabin	S2015L	
Variant 1945*1945 sauna cabin	S2020	
Variant 1945*1945 right sauna cabin	S2020R	
Variant 1945*1945 left	S2020L	

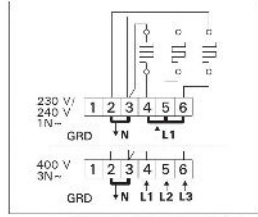
Technical details

Technical data	Type / attribute	HCB600400S
	Color	Stainless Steel
	Power output	6 kW
	Stone sizes	Ø5–10 cm
	Stone amount (kg)	20
Dimensions	Product width	480
	Product height	540
	Product depth (mm)	310
	Net weight (kg)	11.2
	Gross weight	12.6
	Package width	315
	Package height	475
	Package depth	500
Safety and installation dimensions	Safety distance front (combustible materials)	30
	safety distance to the side wall (combustible materials)	50
	Safety distance (Ceiling)	1100
	Room min. height(depends on connections and therefore from output, star/delta)	1900
	Installation opening height	1900
	Installation opening width	560
	Installation opening depth	340

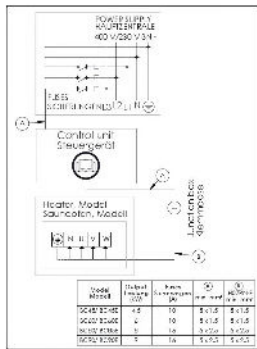
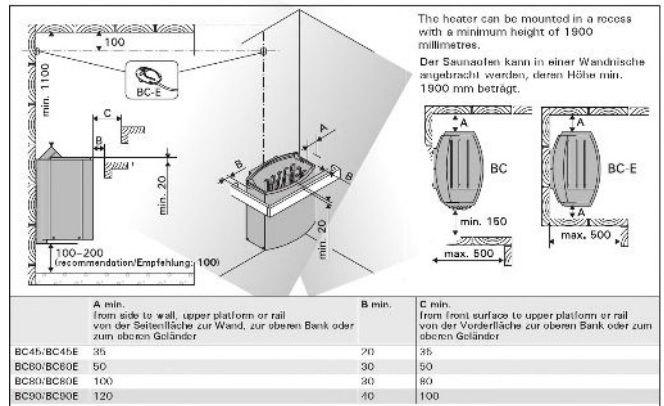
Technical images



Electrical connections of BC heater
Elektronanschlüsse des Saunaofens BC

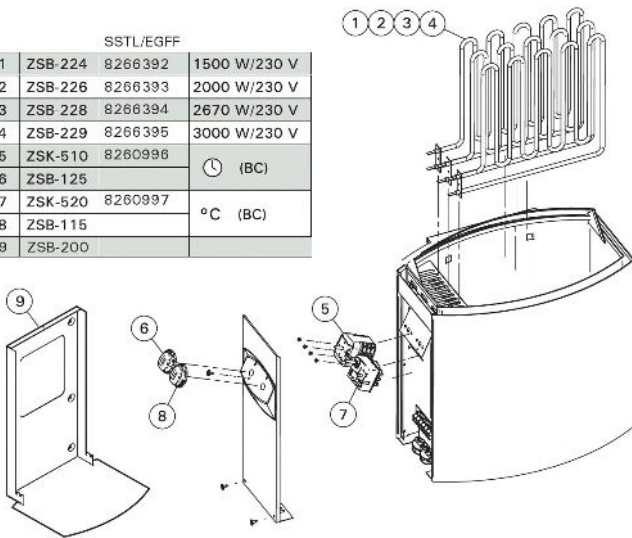


Electrical connections of BC-E heater
Elektronanschlüsse des Saunaofens BC-E



3-phase electrical connections of control unit C150 and BC-E heater
3-phasiger Elektronanschlüsse des Steuergerät C150 und des Saunaofens BC-E

SSTL/EGFF		
1	ZSB-224	8266392 1500 W/230 V
2	ZSB-226	8266393 2000 W/230 V
3	ZSB-228	8266394 2670 W/230 V
4	ZSB-229	8266395 3000 W/230 V
5	ZSK-510	8260996
6	ZSB-125	°C (BC)
7	ZSK-520	8260997
8	ZSB-115	°C (BC)
9	ZSB-200	



We recommend to use only the manufacturer's spare parts.
Es dürfen ausschließlich die Ersatzteile des Herstellers verwendet werden.

HARVIA VEGA

HCB800400S

The stainless steel outer shell of Vega is durable and creates a modern look for your sauna. The operating switches are placed ergonomically in the upper part, and thanks to the symmetric shape of the heater, the switches can be placed on either side.



Features

Main material : Steel

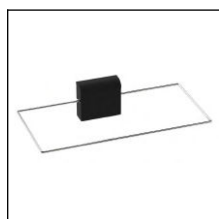
H x W x D : 540.0 x 480.0 x 310.0 mm

Net weight (kg) : 11.4

Installation location : Wall

ID	GTIN	Output (kW)	Sauna room size min - max m ³
HCB800400S	6410082608089	8 kW	7.0-12.0

Related products



SFE-220400

Spare parts

Product	ID	Pcs
Variant 2380*1945 sauna cabin	S2520	
Variant 2380*1945 right sauna cabin	S2520R	
Variant 2195*1945 left	S2220L	
Variant 2195*1945	S2220	
Variant 2195*1945	S2220H	
Variant 2195*1945 right	S2220R	
Variant 2195*2195	S2222	
Variant 2195*2195 right	S2222R	
Variant 2380*2195 left	S2522L	
Variant 2380*2195	S2522M	
Variant 2380*2195 right	S2522R	
Variant 2380*1945 sauna cabin	S2520	
Variant 2195*1945	S2220	
Variant 2195*1945	S2220H	
Variant 2195*1945 left	S2220L	
Variant 2195*1945 right	S2220R	
Variant 2195*2195	S2222	
Variant 2195*2195 right	S2222R	
Variant 2380*1945 left sauna cabin	S2520L	
Variant 2380*1945 right sauna cabin	S2520R	
Variant 2380*2195 left	S2522L	
Variant 2380*2195	S2522M	
Variant 2380*2195 right	S2522R	

Technical details

Technical data	Type / attribute	HCB800400S
	Color	Stainless Steel
	Power output	8 kW
	Stone sizes	Ø5–10 cm
	Stone amount (kg)	20
Dimensions	Product width	480
	Product height	540
	Product depth (mm)	310
	Net weight (kg)	11.4
	Gross weight	12.8
	Package width	315
	Package height	475
	Package depth	500
Safety and installation dimensions	Safety distance front (combustible materials)	30
	Safety distance right side (combustible materials)	30
	Safety distance left side (combustible materials)	30
	safety distance to the side wall (combustible materials)	100
	Safety distance (Ceiling)	1100
	Room min. height(depends on connections and therefore from output, star/delta)	1900

DATA SHEET

HARVIA ELECTRIC HEATERS



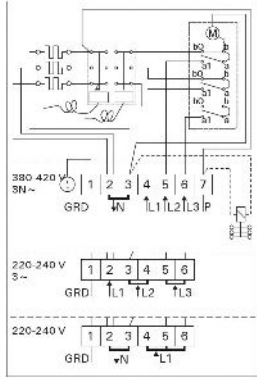
HARVIA

Sauna & Spa

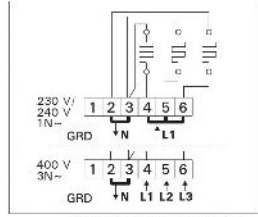
Technical details

Technical data	Type / attribute	HCB800400S
	Installation opening height	1900
	Installation opening width	610
	Installation opening depth	340

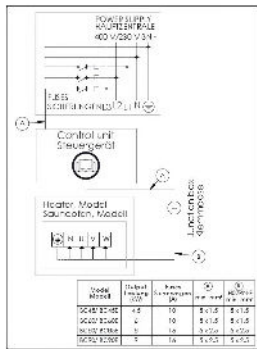
Technical images



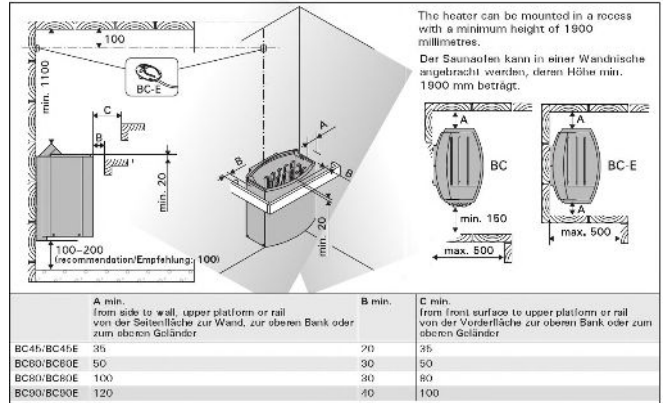
Electrical connections of BC heater
Elektronanschlüsse des Saunaofens BC



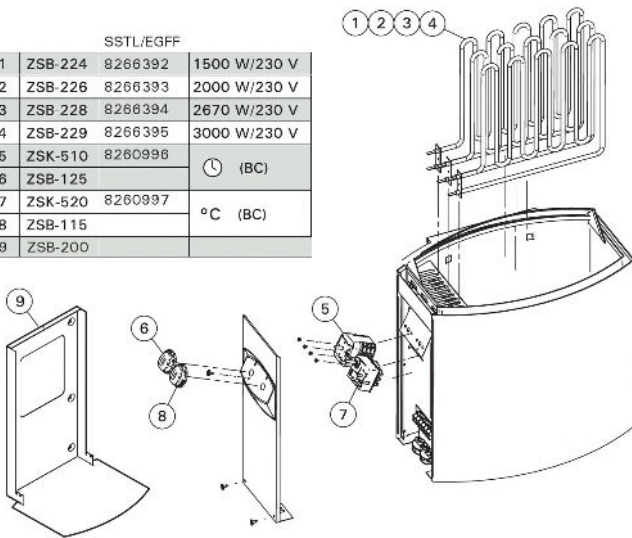
Electrical connections of BC-E heater
Elektronanschlüsse des Saunaofens BC-E



3-phase electrical connections of control unit C150 and BC-E heater
3-phasiger Elektronanschlüsse des Steuergerät C150 und des Saunaofens BC-E



SSTL/EGFF		
1	ZSB-224	8266392 1500 W/230 V
2	ZSB-226	8266393 2000 W/230 V
3	ZSB-228	8266394 2670 W/230 V
4	ZSB-229	8266395 3000 W/230 V
5	ZSK-510	8260996
6	ZSB-125	(BC)
7	ZSK-520	8260997 °C (BC)
8	ZSB-115	
9	ZSB-200	



We recommend to use only the manufacturer's spare parts.
Es dürfen ausschließlich die Ersatzteile des Herstellers verwendet werden.

HARVIA VEGA

HCB900400S

The stainless steel outer shell of Vega is durable and creates a modern look for your sauna. The operating switches are placed ergonomically in the upper part, and thanks to the symmetric shape of the heater, the switches can be placed on either side.



Features

Main material : Steel

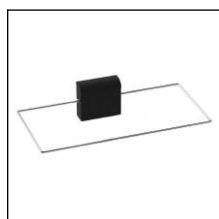
H x W x D : 540.0 x 480.0 x 310.0 mm

Net weight (kg) : 11.6

Installation location : Wall

ID	GTIN	Output (kW)	Sauna room size min - max m ³
HCB900400S	6417659010436	9 kW	8.0-14.0

Related products



SFE-220400

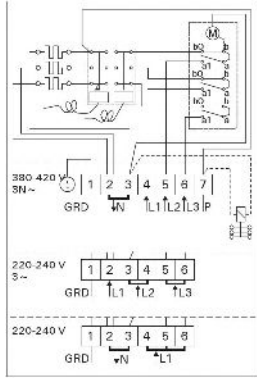
Spare parts

Product	ID	Pcs
Heating element 3000W/230V	ZSB-229	1
Thermostat knob Vega 2009	ZSB-115	1
Timer knob Vega 2009	ZSB-125	1
Wall mounting plate Vega	ZSB-200	1
Timer 4h+8h	ZSK-510	1
Thermostat/overheating limiter switch	ZSK-520	1
Heating element 3000W 230V, Vega Pro	SPZSB-229	3
Knob thermostat Vega, black	SPZSB-115	1
Knob timer 4+8h Vega, black	SPZSB-125	1
Timer 4+8h	SPZSK-510	1
Thermostat overheating limiter switch	SPZSK-520	1

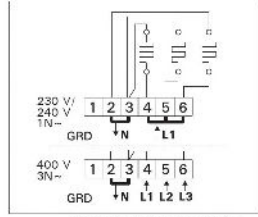
Technical details

Technical data	Type / attribute	HCB900400S
	Color	Stainless Steel
	Power output	9 kW
	Stone amount (kg)	20
Dimensions	Product width	480
	Product height	540
	Product depth (mm)	310
	Net weight (kg)	11.6
	Gross weight	13
	Package width	315
	Package height	475
	Package depth	500
Safety and installation dimensions	Safety distance front (combustible materials)	40
	Safety distance (Ceiling)	1100
	Room min. height(depends on connections and therefore from output, star/delta)	1900
	Installation opening height	1900
	Installation opening width	535
	Installation opening depth	330

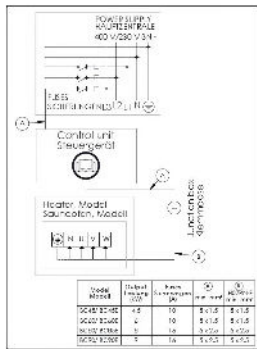
Technical images



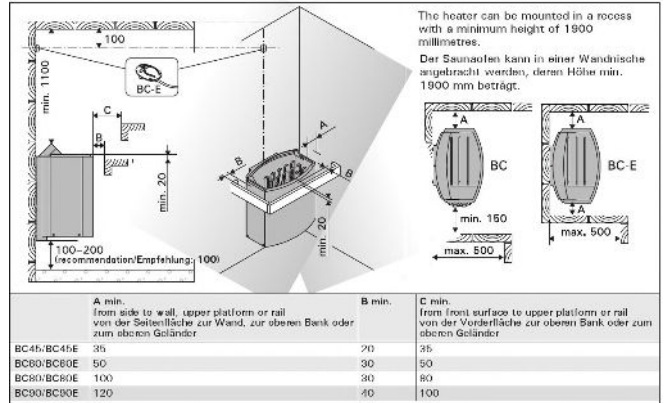
Electrical connections of BC heater
Elektronenschlüsse des Saunaofens BC



Electrical connections of BC-E heater
Elektronenschlüsse des Saunaofens BC-E

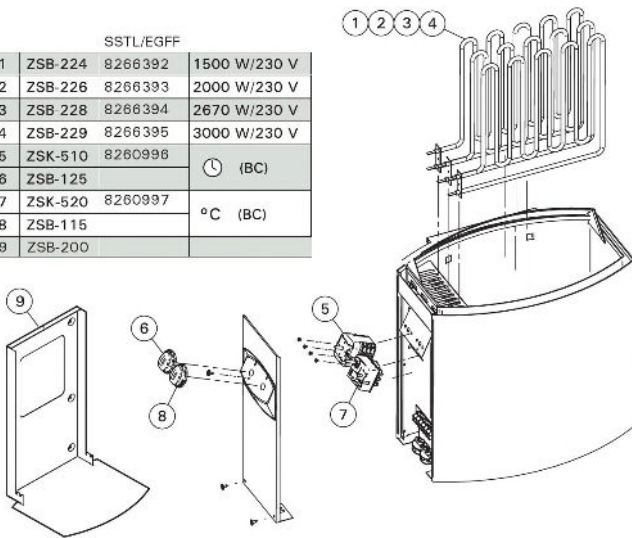


3-phase electrical connections of control unit C150 and BC-E heater
3-phasiger Elektronenschlüsse des Steuergerät C150 und des Saunaofens BC-E



SSTL/EGFF

1	ZSB-224	8266392	1500 W/230 V
2	ZSB-226	8266393	2000 W/230 V
3	ZSB-228	8266394	2670 W/230 V
4	ZSB-229	8266395	3000 W/230 V
5	ZSK-510	8260996	
6	ZSB-125		°C (BC)
7	ZSK-520	8260997	
8	ZSB-115		°C (BC)
9	ZSB-200		



We recommend to use only the manufacturer's spare parts.
Es dürfen ausschließlich die Ersatzteile des Herstellers verwendet werden.