

HARVIA VEGA

HCBE450400S

The stainless steel outer shell of Vega is durable and creates a modern look for your sauna. The operating switches are placed ergonomically in the upper part, and thanks to the symmetric shape of the heater, the switches can be placed on either side.



Features

Main material : Steel

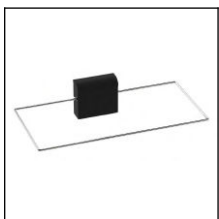
H x W x D : 540.0 x 480.0 x 310.0 mm

Net weight (kg) : 10.2

Installation location : Wall

ID	GTIN	Output (kW)	Sauna room size min - max m3
HCBE450400S	6410082608140	4.5 kW	3.0-6.0

Related products



SFE-220400

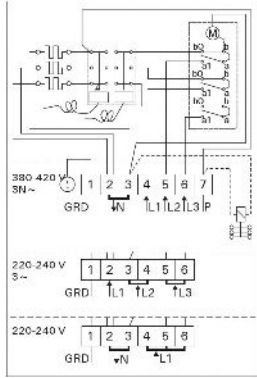
Spare parts

Product	ID	Pcs
Heating element 1500W/230V	ZSB-224	3
Thermostat knob Vega 2009	ZSB-115	1
Timer knob Vega 2009	ZSB-125	1
Wall mounting plate Vega	ZSB-200	1
Timer 4h+8h	ZSK-510	1
Thermostat/overheating limiter switch	ZSK-520	1
Heating element 1500W 230V, Vega	SPZSB-224	3
Knob thermostat Vega, black	SPZSB-115	1
Knob timer 4+8h Vega, black	SPZSB-125	1
Timer 4+8h	SPZSK-510	1
Thermostat overheating limiter switch	SPZSK-520	1

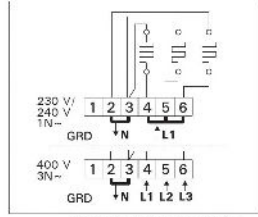
Technical details

Technical data	Type / attribute	HCBE450400S
	Color	Stainless Steel
	Power output	4.5 kW
	Stone amount (kg)	20
Dimensions	Product width	480
	Product height	540
	Product depth (mm)	310
	Net weight (kg)	10.2
	Gross weight	11.6
	Package width	315
	Package height	475
	Package depth	500
Safety and installation dimensions	Safety distance front (non-combustible materials)	35
	Safety distance front (combustible materials)	20
	Safety distance side (non-combustible materials)	35
	safety distance to the side wall (combustible materials)	20
	Safety distance (Ceiling)	1100
	Room min. height(depends on connections and therefore from output, star/delta)	1900
	Installation opening height	1740
	Installation opening width	505
	Installation opening depth	330

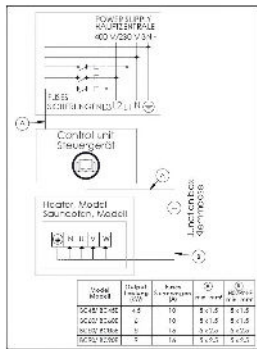
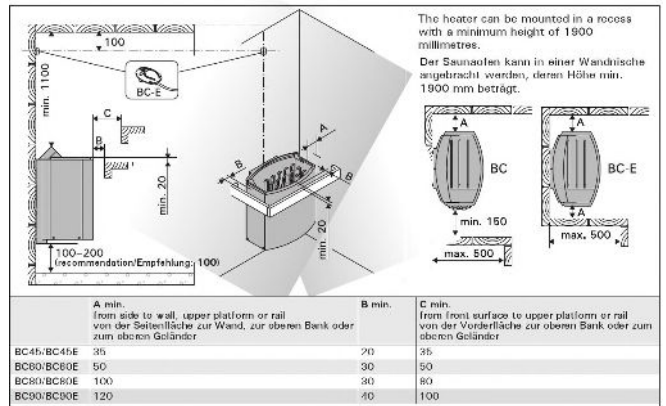
Technical images



Electrical connections of BC heater
Elektronanslutningar des Saunaförses BC

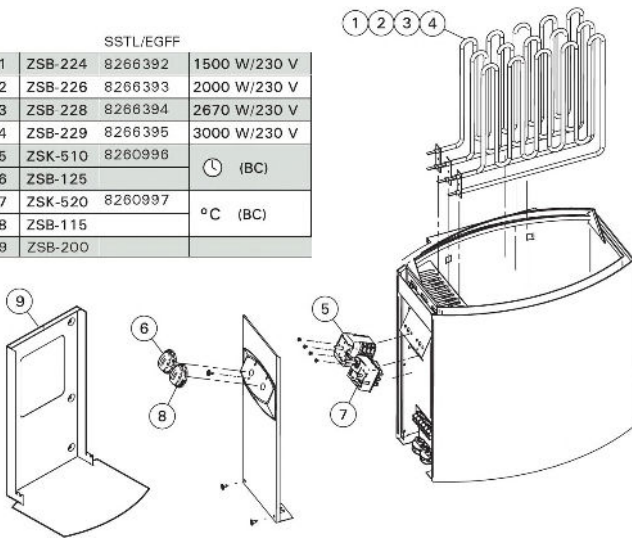


Electrical connections of BC-E heater
Elektronanslutningar des Saunaförses BC-E



3-phase electrical connections of control unit C150 and BC-E heater
3-phasiger Elektronanslutningar des Steuergeräts C150 und des Saunaförses BC-E

SSTL/EGFF		
1	ZSB-224	8266392
2	ZSB-226	8266393
3	ZSB-228	8266394
4	ZSB-229	8266395
5	ZSK-510	8260996
6	ZSB-125	(BC)
7	ZSK-520	8260997
8	ZSB-115	°C (BC)
9	ZSB-200	



We recommend to use only the manufacturer's spare parts.
Es dürfen ausschließlich die Ersatzteile des Herstellers verwendet werden.

HARVIA VEGA

HCBE600400S

The stainless steel outer shell of Vega is durable and creates a modern look for your sauna. The operating switches are placed ergonomically in the upper part, and thanks to the symmetric shape of the heater, the switches can be placed on either side.



Features

Main material : Steel

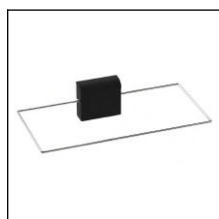
H x W x D : 540.0 x 480.0 x 310.0 mm

Net weight (kg) : 10.4

Installation location : Wall

ID	GTIN	Output (kW)	Sauna room size min - max m3
HCBE600400S	6410082608164	6 kW	5.0-8.0

Related products



SFE-220400

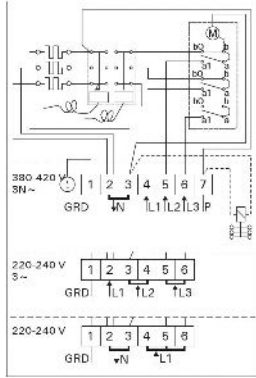
Spare parts

Product	ID	Pcs
Heating element 2000W/230V	ZSB-226	3
Wall mounting plate Vega	ZSB-200	1
Heating element 2000W 230V, Vega	SPZSB-226	3

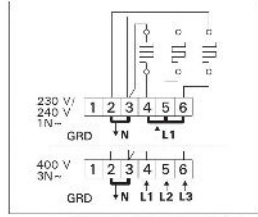
Technical details

Technical data	Type / attribute	HCBE600400S
	Color	Stainless Steel
	Power output	6 kW
	Stone amount (kg)	20
Dimensions	Product width	480
	Product height	540
	Product depth (mm)	310
	Net weight (kg)	10.4
	Gross weight	11.8
	Package width	315
	Package height	475
	Package depth	500
Safety and installation dimensions	Safety distance front (non-combustible materials)	50
	Safety distance front (combustible materials)	30
	Safety distance side (non-combustible materials)	50
	safety distance to the side wall (combustible materials)	30
	Safety distance (Ceiling)	1100
	Room min. height(depends on connections and therefore from output, star/delta)	1900
	Installation opening height	1740
	Installation opening width	505
	Installation opening depth	330

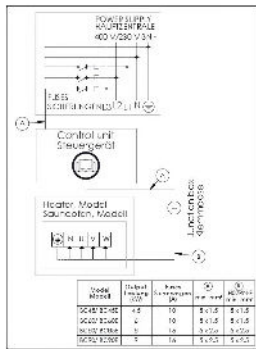
Technical images



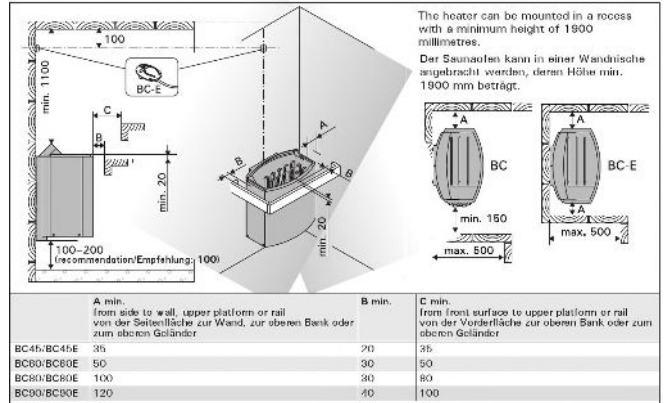
Electrical connections of BC heater
Elektronanschlüsse des Saunaofens BC



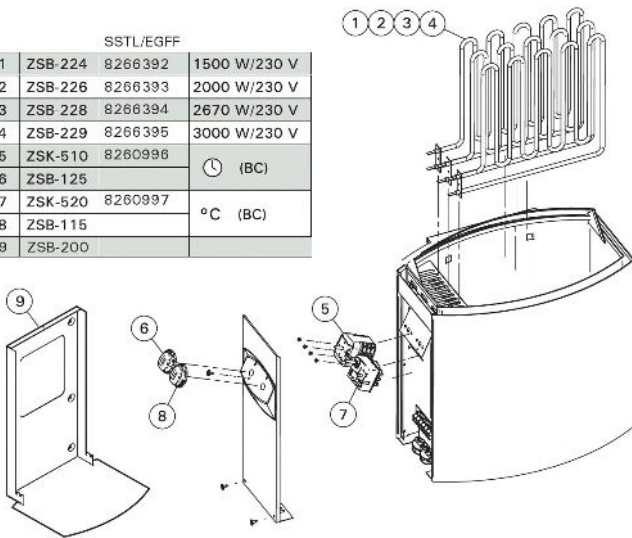
Electrical connections of BC-E heater
Elektronanschlüsse des Saunaofens BC-E



3-phase electrical connections of control unit C150 and BC-E heater
3-phasiger Elektronanschlüsse des Steuergeräts C150 und des Saunaofens BC-E



SSTL/EGFF		
1	ZSB-224	8266392 1500 W/230 V
2	ZSB-226	8266393 2000 W/230 V
3	ZSB-228	8266394 2670 W/230 V
4	ZSB-229	8266395 3000 W/230 V
5	ZSK-510	8260996 (BC)
6	ZSB-125	(BC)
7	ZSK-520	8260997 °C (BC)
8	ZSB-115	(BC)
9	ZSB-200	



We recommend to use only the manufacturer's spare parts.
Es dürfen ausschließlich die Ersatzteile des Herstellers verwendet werden.

HARVIA VEGA

HCBE800400S

The stainless steel outer shell of Vega is durable and creates a modern look for your sauna. The operating switches are placed ergonomically in the upper part, and thanks to the symmetric shape of the heater, the switches can be placed on either side.



Features

Main material : Steel

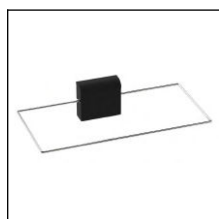
H x W x D : 540.0 x 480.0 x 310.0 mm

Net weight (kg) : 10.6

Installation location : Wall

ID	GTIN	Output (kW)	Sauna room size min - max m3
HCBE800400S	6410082608188	8 kW	7.0-12.0

Related products



SFE-220400

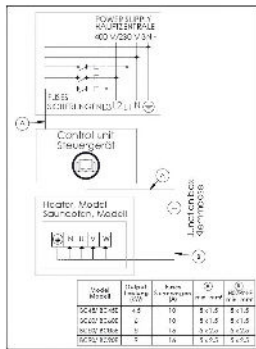
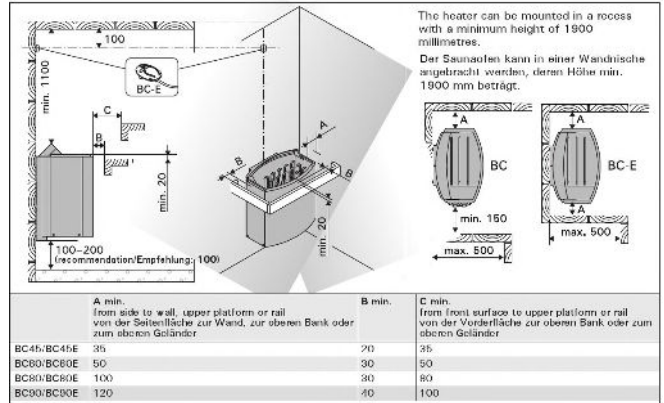
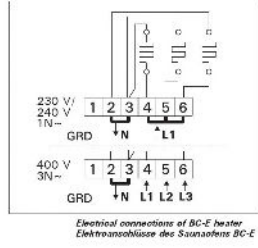
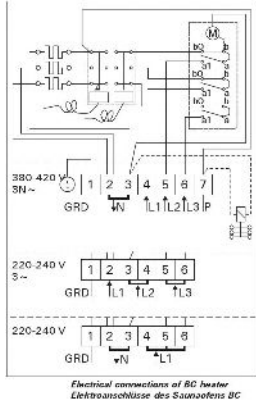
Spare parts

Product	ID	Pcs
Heating element 2670W/230V	ZSB-228	3
Thermostat knob Vega 2009	ZSB-115	1
Timer knob Vega 2009	ZSB-125	1
Wall mounting plate Vega	ZSB-200	1
Timer 4h+8h	ZSK-510	1
Thermostat/overheating limiter switch	ZSK-520	1
Heating element 2670W 230V, Vega	SPZSB-228	3
Knob thermostat Vega, black	SPZSB-115	1
Knob timer 4+8h Vega, black	SPZSB-125	1
Timer 4+8h	SPZSK-510	1
Thermostat overheating limiter switch	SPZSK-520	1

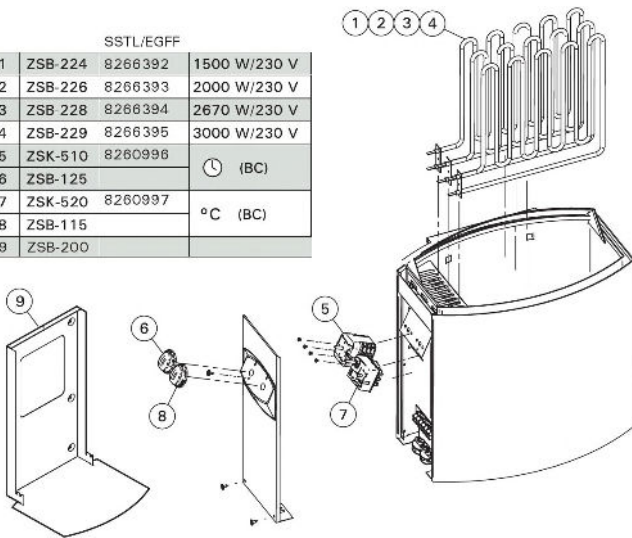
Technical details

Technical data	Type / attribute	HCBE800400S
	Color	Stainless Steel
	Power output	8 kW
	Stone amount (kg)	200
Dimensions	Product width	480
	Product height	540
	Product depth (mm)	310
	Net weight (kg)	10.6
	Gross weight	12
	Package width	315
	Package height	475
	Package depth	500
Safety and installation dimensions	Safety distance front (non-combustible materials)	80
	Safety distance front (combustible materials)	30
	Safety distance side (non-combustible materials)	100
	safety distance to the side wall (combustible materials)	30
	Safety distance (Ceiling)	1100
	Room min. height(depends on connections and therefore from output, star/delta)	1900
	Installation opening height	1740
	Installation opening width	505
	Installation opening depth	330

Technical images



SSTL/EGFF		
1	ZSB-224	8266392
2	ZSB-226	8266393
3	ZSB-228	8266394
4	ZSB-229	8266395
5	ZSK-510	8260996
6	ZSB-125	°C (BC)
7	ZSK-520	8260997
8	ZSB-115	°C (BC)
9	ZSB-200	



We recommend to use only the manufacturer's spare parts.
Es dürfen ausschließlich die Ersatzteile des Herstellers verwendet werden.

HARVIA VEGA

HCBE900400S

The stainless steel outer shell of Vega is durable and creates a modern look for your sauna. The operating switches are placed ergonomically in the upper part, and thanks to the symmetric shape of the heater, the switches can be placed on either side.



Features

Main material : Steel

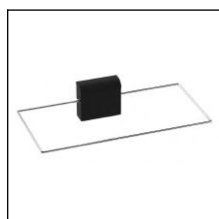
H x W x D : 540.0 x 450.0 x 310.0 mm

Net weight (kg) : 10.8

Installation location : Wall

ID	GTIN	Output (kW)	Sauna room size min - max m3
HCBE900400S	6410082608195	9 kW	8.0-14.0

Related products



SFE-220400

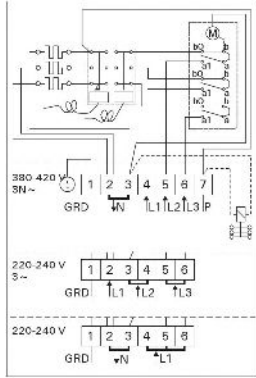
Spare parts

Product	ID	Pcs
Heating element 3000W/230V	ZSB-229	3
Thermostat knob Vega 2009	ZSB-115	1
Timer knob Vega 2009	ZSB-125	1
Wall mounting plate Vega	ZSB-200	1
Timer 4h+8h	ZSK-510	1
Thermostat/overheating limiter switch	ZSK-520	1
Heating element 3000W 230V, Vega Pro	SPZSB-229	3
Knob thermostat Vega, black	SPZSB-115	1
Knob timer 4+8h Vega, black	SPZSB-125	1
Timer 4+8h	SPZSK-510	1
Thermostat overheating limiter switch	SPZSK-520	1

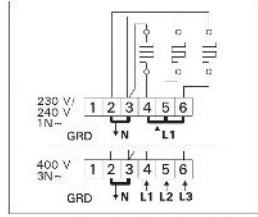
Technical details

Technical data	Type / attribute	HCBE900400S
	Color	Stainless Steel
	Power output	9 kW
	Stone amount (kg)	20
Dimensions	Product width	450
	Product height	540
	Product depth (mm)	310
	Net weight (kg)	10.8
	Gross weight	12.2
	Package width	315
	Package height	475
	Package depth	500
Safety and installation dimensions	Safety distance front (non-combustible materials)	100
	Safety distance front (combustible materials)	40
	Safety distance side (non-combustible materials)	120
	safety distance to the side wall (combustible materials)	40
	Safety distance (Ceiling)	1100
	Room min. height(depends on connections and therefore from output, star/delta)	1900
	Installation opening height	1740
	Installation opening width	505
	Installation opening depth	330

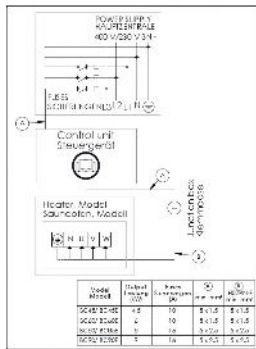
Technical images



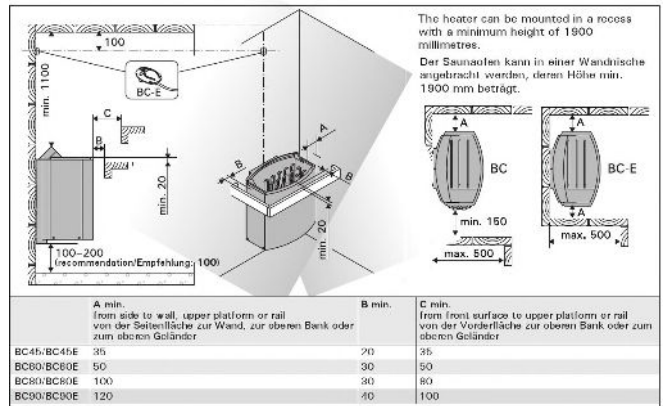
Electrical connections of BC heater
Elektronanschlüsse des Saunaofens BC



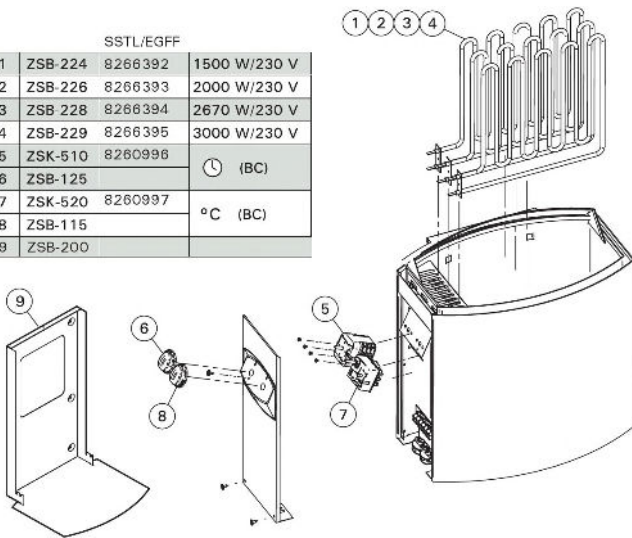
Electrical connections of BC-E heater
Elektronanschlüsse des Saunaofens BC-E



3-phase electrical connections of control unit C150 and BC-E heater
3-phasiger Elektronanschlüsse des Steuergerät C150 und des Saunaofens BC-E



SSTL/EGFF		
1	ZSB-224	8266392 1500 W/230 V
2	ZSB-226	8266393 2000 W/230 V
3	ZSB-228	8266394 2670 W/230 V
4	ZSB-229	8266395 3000 W/230 V
5	ZSK-510	8260996
6	ZSB-125	°C (BC)
7	ZSK-520	8260997
8	ZSB-115	°C (BC)
9	ZSB-200	



We recommend to use only the manufacturer's spare parts.
Es dürfen ausschließlich die Ersatzteile des Herstellers verwendet werden.